



# PARAVAN Rotating Seat

## User Manual

User Manual/Rotating Seat V1.1\_E



# PARAVAN Rotating Seat User Manual

**For getting into your vehicle comfortably and safely**

## 1 Introduction

You have chosen a PARAVAN rotating seat. Thank you for placing your trust in us.

As usual you are purchasing a product manufactured by Paravan and which it developed to meet the needs of handicapped persons and of people with limited movement caused by age. Our products are characterised by their stability, quality and the proven modular system.

The PARAVAN rotating seat can be used in almost all vehicles. Furthermore, it is possible to mount different seat models on it.

The PARAVAN rotating seat models are of TÜV-tested quality "**Made in Germany**" and they have been successfully crash-tested in compliance with ECE-R 17 and 74/408/EEC. In addition they also possess a DAR registration no. KBA – P 00013-01.

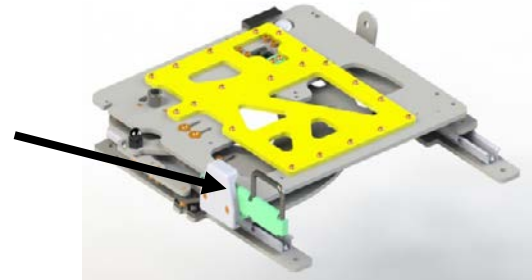


## 2 The different models

Article no.:	Article name:
PSC 05545 left/05546 right electric + assembly kit 6148 right/6149 left	PSC electric left/right manual with cable remote control
PSC 05547 left/05548 right manual +	PSC electric left/right rotating with cable remote control
PSC 05578 left/05579 right electric +	PSC electric left/right rotating with radio remote control
PSC 05549 left/05550 right with stand-up aid +	PSC electric left/right rotating with stand-up aid and cable remote control
PSC 05580 left/05581 right with stand-up aid +	PSC electric left/right rotating with stand-up aid and radio remote control
PSC 6229 ESA (electrical seat adjustment)	PSC electrical seat adjustment below the pivot point

## 2.1 Standard models

Paravan rotating seat console, manual.  
Operated by hand by means of a lever.



Paravan rotating seat panel, manual  
outward-turning



All Paravan rotating-seat consoles are available for rotating outwards to the left or the right.

Paravan rotating seat console, electric.  
Operated by remote control.



Paravan rotating seat console, electric  
outward-turning



All Paravan rotating-seat consoles are available for rotating outwards to the left or the right.

Paravan rotating seat with integrated SJ (sacroiliac joint) support. During the rotation process the support also rotates out of the car providing the lumbar vertebrae with secure support.



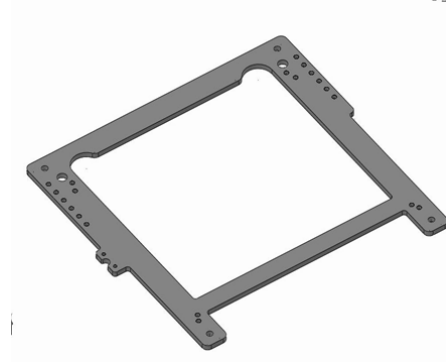
All Paravan rotating-seat consoles are available for rotating outwards to the left or the right.

## 2.2 The different models and options

Paravan rotating seat console with stand-up aid.  
The stand-up aid can be adapted in all seat consoles.



Universal installation console for the Paravan rotating-seat console.





Electrical lengthwise adjustment.  
Horizontal electrical seat adjustment in the vehicle below  
the pivot point.



Simple electrical lengthwise adjustment.

Can be optionally installed in our Paravan seat collection: Electrical lengthwise adjustment. You move your seat forwards and backwards electrically (horizontal in the vehicle) by pushing a button, bringing yourself into a new, comfortable sitting position.

Paravan sport and comfortable, convenient seat for the Paravan rotating seat console. Please choose from our extensive range of seats.



Examples of colour samples

Special colours and customised cover materials if desired. Seats with integrated armrests, electrical armrest adjustment, electrical lordosis adjustment and seat heating can be provided. Ask our qualified sales consultants.

### 3 Control elements

Paravan rotating seat console, manual; can be operated by means of a handle.



Paravan rotating seat console, electric, can be operated by means of cable remote control.



Paravan rotating seat console, electric, can be operated by means of radio remote control.

The input command will be programmed individually on the keypad.



### 3.1 Operating the manual rotating-seat console

The manual Paravan rotating seat is easy to operate with just a few manipulations!



CAUTION!!! The unit must always be guided to the final stop of the respective final position.



1. You release a lever at the side of the rotating seat by hand. Then you pull the seat outwards. By doing so the seat area of the rotating seat is released from its anchorage.
2. The seat area is then rotated to the outside by means of the lever. The seat is rotated until it has taken up the right position and snapped into place in the anchorage.
3. Rotating inwards functions according to the same principle as rotating outwards, but in reverse order.

## 3.2 Operating the electric rotating-seat console

Paravan's electric rotating seat console is easy to operate via the Paravan cable or radio remote control. To move the unit in the respective direction, press the appropriate control button on the remote control.



**CAUTION!!!** The unit must always be guided to the final stop of the respective final position.

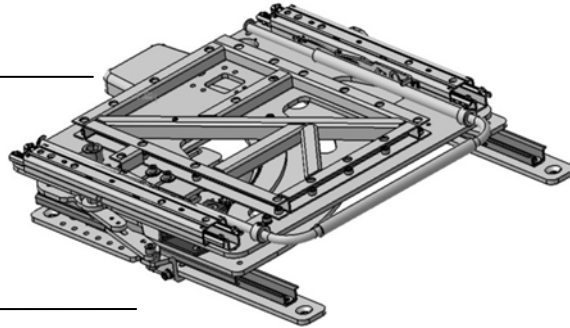
The unit moves as long as the control button is being pressed.

If there is a power failure, by activating the emergency release by hand the unit can be brought into the final position. How to handle this is described further down (refer to item 3.4 "Emergency release" from page 17 on).



**Cable remote control:**

Control by means of the upper row of buttons.



**Paravan rotating seat console, electric:**

In all the different models.



**Radio remote control**

### 3.3 Control of the integrated stand-up function

The stand-up aid can only be operated when the panel is reversed. It can be controlled via the cable or radio remote control.

To move the unit in the respective direction, press the appropriate control button on the remote control.



**CAUTION!!!** The unit must always be guided to the final stop of the respective final position. The unit moves as long as the control button is being pressed.

If there is a power failure, by activating the emergency release by hand the unit can be brought into the final position (default position in vehicle). How to handle this is described further down (Refer to item 3.4 "Emergency release" from page 17 on).

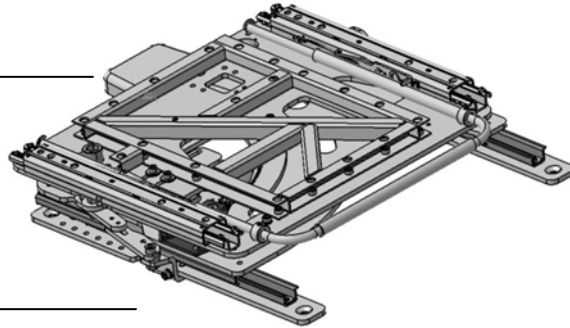
However, the stand-up aid cannot be moved back to the default position with the help of the emergency release. For this purpose contact an appropriate workshop.





**Cable remote control:**

Control by means of the lower row of buttons.



**Paravan rotating console, electric:**

In all the different models.



**Radio remote control**

### 3.4 Operating the emergency release

How to proceed:

Turn the handle of the "Emergency Release", which is accessible from below and marked in orange, anticlockwise and remove it. Then move the motor down until the drive can move freely. Turn the seat unit inwards into the vehicle; position the motor again and tighten the screw.



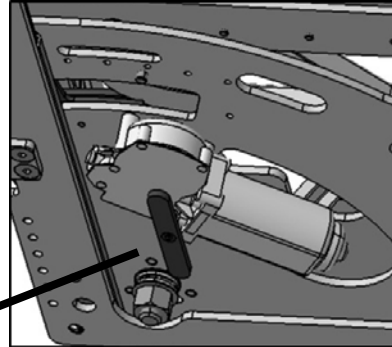
**CAUTION!!!**

When driving off the "Emergency release" handle and the motor must be fixed in the original position.

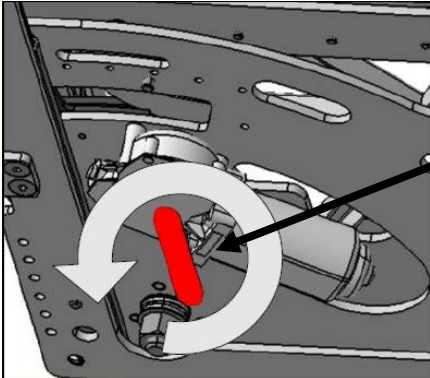
If the stand-up aid does not function, please make sure you call on the specialist workshop!

**View from below:**

Emergency release lever on the drive motor, marked in orange.



View from below: Base frame of the Paravan rotating seat console.



### 3.5 Operating the emergency release with the optional stand-up aid.



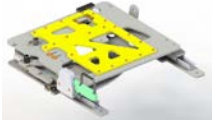


If the electric rotary seat has the optional stand-up aid there is an additional emergency release.




Using a hexagonal Allen key the two Allen screws marked in red can be released and the stand-up aid which is in an upward position can be moved back down by hand.



After using the manual emergency release it is necessary to go to an appropriate specialist workshop!

#### 4 Technical data of the standard models + options

Dimensions and weights	Seat console, manual 	Seat console, electric 	The rotating seat with stand-up function 
Length x width x height	493 x 522 x 56 mm	493 x 522 x 56 mm	493 x 522 x 56 mm
Weight of the console	20kg	21kg	21kg
Angle of rotation	120°	120°	120°
Stand-up angle			60°
Voltage	0V	12V	12V

Dimensions and weights	Seat console, manual 	Seat console, electric 	The rotating seat with stand-up function 
Max. power consumption in amperes	0A	10A	10A
Tested load-bearing capacity in kg at 11,160 load change	135 kg (briefly 220 kg)	135 kg (briefly 220 kg)	approx. 120 kg
Optional electrical lengthwise adjustment	240mm (forwards/backwards, horizontal in the vehicle i.e.: exclusively beneath the pivot point)	240mm (forwards/backwards, horizontal in the vehicle i.e.: exclusively beneath the pivot point)	240mm (forwards/backwards, horizontal in the vehicle i.e.: exclusively beneath the pivot point)



## 5 Hazard warnings

- Please pay attention to warning stickers.
- Do not bring any objects into the area with moving parts.
- Do not reach into the range of motion of the moving parts.
- Do not use protective covers.
- Do not activate the rotating seat panel while driving.
- Always secure the electric console exclusively according to the technical specifications. Do not raise the safety warnings!

## 6 Care instructions

- Clean the surface of the console with a damp cloth from time to time.
- If noise generation increases please have the guide rail cleaned and relubricated in a specialist workshop only.
- Clean the seat with a damp cloth or with the help of a foam cleaner for upholstery.



## 7 Troubleshooting

Fault description	Cause	Solution
<b>Console non-functional</b>	Battery flat	Charge battery
The following cases must be handled in a workshop:		
	Cable or plug-in connections interrupted	Check lines and plug-in connections
	Overload or weight too high (max. 135 kg)	Check fuse
	Motor defective	Replace motor
<b>Radio remote control non-functional</b>	LED on remote control does not light up	Replace battery

Fault description	Cause	Solution
The following cases must be handled in a workshop:		
	Receiver section of radio remote control defective	Replace receiver
	Cable or plug-in connections interrupted	Check flat-pin plugs, lines and plug-in connections
	LED on remote control shines constantly	Switch in remote control caught up
The following cases must be handled in a workshop:		
<b>Radio remote control non-functional</b>	Cable or plug-in connections interrupted	Check flat-pin plugs, lines and plug-in connections
	Spiral cable of cable remote control broken/squashed	Renew spiral cable in control unit
	Only one function button	Renew spiral cable in control unit

<b>Fault description</b>	<b>Cause</b>	<b>Solution</b>
	Only one function button	Replace relay
	Relay defective	Replace relay
The following cases must be handled in a workshop:		
<b>Impossible / difficult to release rotary console (manual console)</b>	Jammed	Bring the seat into another position with the help of the seat adjustment (load change)
		Lubricate mechanical sliding components (dirt and dust resistant)
	Bowden cable torn	Replace Bowden cable
	Bowden cable too long	Adjust Bowden cable

<b>Fault description</b>	<b>Cause</b>	<b>Solution</b>
The following cases must be handled in a workshop:		
<b>Noises during rotation</b>	Sprocket leapfrogs the teeth of the sprocket wheel	Wing bolt of the emergency release not tightened
<b>Irregular or slow movement</b>	Dirt in rails and sliding surfaces	Clean rails and sliding surfaces
		Lubricate mechanical sliding components (dirt and dust resistant)
	Sprockets/teeth broken out	Replace sprocket / sprocket wheel
<b>Seat console wobbles</b>	Turntable has not moved to the final stop	Turntable for driving position must always move onto stop
The following cases must be handled in a workshop:		
	Screws not tight	Tighten screw connections

<b>Fault description</b>	<b>Cause</b>	<b>Solution</b>
	Final stop loosened	Adjust final stop and tighten screw (Loctite!)
<b>Stand-up aid non-functional</b>		
	Foreign body fallen in and jammed	Remove foreign body / clean up under the seat area
The following cases must be handled in a workshop:		
	Cable or plug-in connections interrupted	Check lines and plug-in connections
	Limit switch defective	Replace limit switch
	Spindle broken	Replace spindle
<b>Electric seat console (ESA)</b>		
<b>Fault description</b>	<b>Cause</b>	<b>Solution</b>
<b>Console non-functional</b>	Battery flat	Charge battery

Fault description	Cause	Solution
The following cases must be handled in a workshop:		
	Cable or plug-in connections interrupted	Check lines and plug-in connections
	Overload or weight too high (max. 135 kg)	Check fuse
	Motor defective	Replace motor
	Limit switch defective	Replace limit switch
	Spindle broken	Replace spindle
	Foreign body or practical obstruction.	Remove foreign body

<b>Fault description</b>	<b>Cause</b>	<b>Solution</b>
<b>ESA running with difficulty / slowly</b>	jammed / soiled	Lubricate mechanical sliding components (dirt and dust resistant)
	Screw connection loose	Tighten screws
	Battery too weak	Charge battery
<b>Noises when driving</b>		
	Spindle soiled	Clean spindle
		Lubricate spindle (dirt and dust resistant)
The following cases must be handled in a workshop:		
<b>Noises when driving</b>	Dirt in rails and sliding surfaces	Clean rails and sliding surfaces

Fault description	Cause	Solution
<b>Noises when driving</b>		Lubricate sliding components
The following cases must be handled in a workshop:		
<b>Seat console wobbles</b>	Screws not tight	Tighten screw connections (Loctite!)



# Table of Contents

<b>1. Introduction .....</b>	<b>1</b>
<b>2. The different models .....</b>	<b>2</b>
2.1. Standard models .....	3
2.2. The different models and options .....	6
<b>3. Control elements .....</b>	<b>10</b>
3.1. Operating the manual rotating-seat console.....	12
3.2. Operating the electric rotating-seat console .....	13
3.3. Control of the integrated stand-up function .....	15
3.4. Operating the emergency release.....	17
3.5. Operating the emergency release with the optional stand-up aid. ....	19
<b>4. Technical data of the standard models + options.....</b>	<b>20</b>
<b>5. Hazard warnings .....</b>	<b>22</b>
<b>6. Care instructions .....</b>	<b>23</b>
<b>7. Troubleshooting .....</b>	<b>24</b>



**PARAVAN**<sup>®</sup>.de  
BEHINDERTENGERECHTE FAHRZEUGUMBAUTEN



## PARAVAN GmbH

PARAVAN Str. 5-10  
D-72539 Pfronstetten-Aichelau  
Germany

Tel: +49 (0)7388 - 99 95 60  
Fax: +49 (0)7388 - 99 95 999  
Web: [www.PARAVAN.de](http://www.PARAVAN.de)  
Mail: [info@PARAVAN.de](mailto:info@PARAVAN.de)

